

# 2MP Thermal & Optical Dual-spectrum Starlight Intelligent Positioning System

TIC7632EL-F75-2X55G



## Key Features



## Optics

- Thermal & Optical dual-spectrum image, dual video with single IP address, adaptable to more various scenes
- Passive infrared thermal imaging, meet the requirement of concealed monitoring and not affected by bad weather condition such as fog, smoke, rain, snow and night etc.
- Starlight illumination
- Gyroscope stabilization for stable picture
- Vari-focal laser:800m(2624.7ft) distance, proportional to optical zoom of camera module
- 2D/3D DNR (Digital Noise Reduction)

## Smart

- Smart linkage: thermal channel support fire detection, optical channel can link to the fire position and zoom in, more accurate to judge fire situation

- Smart intrusion prevention based on deep learning algorithm: cross line, enter area, leave area, intrusion, support smart tracking

## Compression

- Support 1080P@60fps, which has the smoother motion image
- Ultra265, H.265, H.264, MJPEG
- Triple streams
- Customize OSD

## Network

- ONVIF Conformance

## Structure

- Rain-sensing auto wiper
- Embedded gradienter to ensure the horizontal position while installation
- Power supply: DC 48V±25%、DC 24V±15%、AC 24V±25%
- Support 1/1 audio in/out, 7/2 alarm in/out ,1 Serial port RS485
- Support up to 256G Micro SD card
- Wide temperature range: -40°C to 70°C (-40°F to 158°F)
- IP66

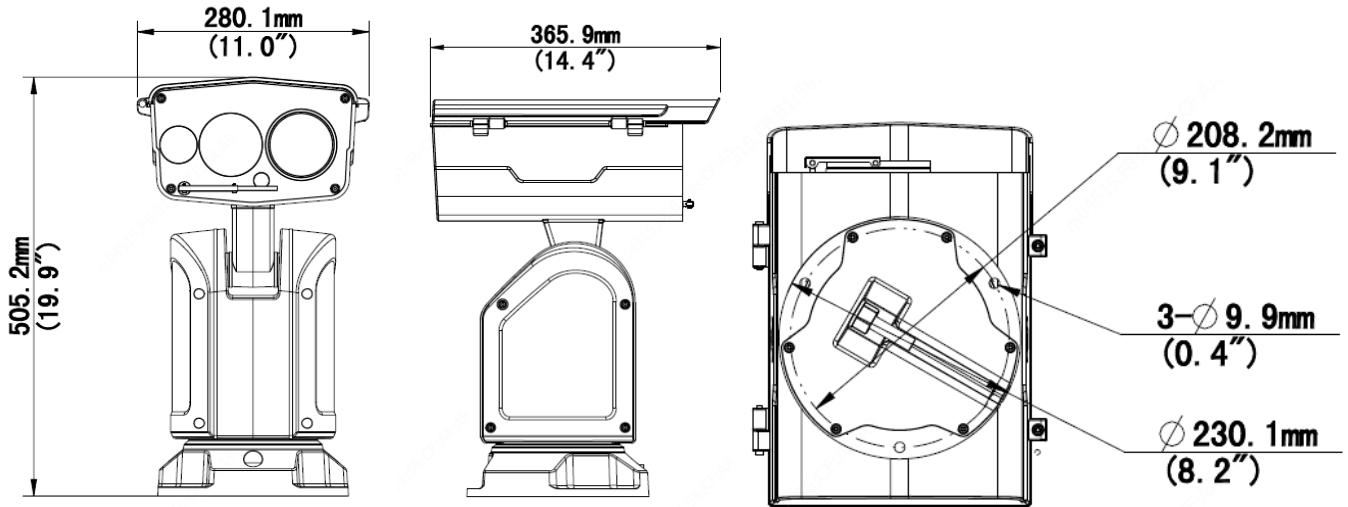
## Specifications

TIC7632EL-F75-2X55G					
Optical Module					
Image sensor	1/1.8", progressive scan, 2.0 megapixel, CMOS				
Lens	6~330mm, AF automatic focusing and motorized zoom lens				
Digital Zoom	16				
Optical Zoom	55				
DORI Distance	Lens (mm)	Detect (m)	Observe (m)	Recognize (m)	Identify (m)
	6	76.6(251.3t)	30.6(100.4ft)	15.3(50.5ft)	7.6(24.9ft)
	330	3330.6(10927.2ft)	1332.2(4370.7ft)	666.1(2185.4ft)	333.1(1092.8ft)
Field of View (H)	58.5° ~ 1.7°				
Field of View (V)	35.0° ~ 1.0°				
Field of View (D)	72.0° ~ 2.0°				
Shutter	Auto/Manual, shutter time: 1~1/100000 s				
Minimum Illumination	Colour: 0.0005 Lux (F1.3, AGC ON) 0 Lux with IR				
Iris	Auto/Manual; F1.3 ~ F4.6				
Day/Night	IR-cut filter with auto switch (ICR)				
Digital noise reduction	2D/3D DNR				

S/N	>55dB
VF laser	Up to 800m(2624.7ft)
Defog	Optical Defog & Digital Defog
WDR	120dB
<b>Thermal Module</b>	
Sensor type	Vanadium Oxide Uncooled Focal Plane Arrays
Max. Resolution	384*288
Video format	720P(1280*720), Max 25fps
Pixel size	17μm
Response waveband	8~14μm
NETD	≤50mk
Lens(focal length)	75mm
Field of View (H)	5.0°
Field of View (V)	4.0°
Field of View (D)	6.1°
Focus	Auto/Semiautomatic/Manual
Palette	Up to 20 palettes of optional color, including: white hot, lava, iron oxide red, hot iron, medical, arctic, rainbow 1, rainbow 2, rainbow 3, depict hot, ice hot, black hot, mazarine, fusion, red hot, green hot, color 1, color 2, rain, puce
Detection Distance	Vehicle: 5220m (target size 4mx1.4m); human: 2093m (target size 1.8mx0.5m);
Recognition Distance	Vehicle: 1305m (target size: 4mx1.4m); human: 523m (target size: 1.8mx0.5m);
Identification Distance	Vehicle: 746m (target size: 4mx1.4m); human: 299m (target size: 1.8mx0.5m);
<b>Video</b>	
Compression	Ultra265, H.265, H.264, MJPEG
Frame Rate	Main Stream: 2MP (1920×1080): Max.60fps; Sub Stream: 2MP (1920×1080): Max.60fps; Third Stream: D1(720 x 576): Max.60fps;
HLC	Supported
BLC	Supported
OSD	Up to 8 OSDs
ROI	Up to 8 areas
Privacy Mask	Up to 24 areas
Motion Detection	Up to 4 areas
<b>Smart</b>	
Smart intrusion prevention (thermal module)	Support false alarm filtering Line crossing detection, Intrusion detection, Region entrance detection, Region exit detection
Fire Detection (thermal module)	Support the detection of fire point in the environment and link the optical camera zoom tracking and alarm
Fire Detection Range	4500m(target size 2mx2m)
<b>Events</b>	
Basic Detection	Motion detection, Audio detection, Voltage detection, Tampering alarm
Exception Detection And Statistics (optical module)	Object Moving, Object Left, Auto-tracking
General Function	Watermark, IP Address Filtering, Alarm input, Alarm output, Access Policy, ARP Protection, RTSP Authentication, User Authentication

Audio	
Audio Compression	G.711U, G.711A
Two-way audio	Supported
Suppression	Supported
Sampling Rate	8 KHZ
Storage	
Edge Storage	Micro SD, up to 256GB
Network Storage	ANR,NAS(NFS)
Network	
Protocols	IPv4, IGMP, ICMP, ARP, TCP, UDP, DHCP, PPPoE, RTP, RTSP, RTCP, DNS, DDNS, NTP, FTP, UPnP, HTTP, HTTPS, SMTP, 802.1x, SNMP, QoS, RTMP
Compatible Integration	ONVIF (Profile S, Profile G, Profile T), API
Web Browser	Plug-in required live view: IE 10 and above, Chrome 45 and above, Firefox 52 and above, Edge 79 and above
Pan & Tilt	
Pan Range	360° (endless)
Pan Speed	0.1°/s ~ 140°/s
	Preset speed: 140°/s
Tilt Range	-90° ~ 45°
Tilt Speed	0.1° ~ 40°/s
	Preset speed: 40°/s
Number of Presets	1024
Patrol	Preset patrol, route patrol, recorded patrol
Home Position	Supported
Interface	
Audio I/O	Audio cable
	1 Input: impedance 35kΩ; amplitude 2V [p-p]
	1 Output: impedance 600Ω; amplitude 2V [p-p]
Alarm I/O	7/2
Serial Port	1 RS485
Video Output	Supported(Thermal module)
Network	1 RJ45 10M/100M/1000M Base-TX Ethernet+1 100M/1000M SFP
General	
Power	DC 48V ± 25%、DC 24V ± 15%、AC 24V ± 25%
	Power consumption: Max 119W
Dimensions (Φ × H)	505.2mm × 280.1mm × 365.9mm (19.9" × 11.0" × 14.4")
Weight	15.09kg(33.27lb)
Working Environment	-40° C ~ 70° C (-40° F ~ 158° F), Humidity: ≤95% RH (non-condensing)
Storage Environment	-40° C ~ 70° C (-40° F ~ 158° F), Humidity: ≤95% RH (non-condensing)
Surge protection	6KV
Vandal Resistant	N/A
Ingress Protection	IP66



## Dimensions



## Accessories

TR-WM08-B  
Wall Mount



Pedestal installation	Wall mount
/	TR-WM08-B
	

Zhejiang Uniview Technologies Co., Ltd.

Building No.10, Wanlun Science Park, Jiangling Road 88, Binjiang District, Hangzhou, Zhejiang, China (310051)

Email: [overseasbusiness@uniview.com](mailto:overseasbusiness@uniview.com); [globalsupport@uniview.com](mailto:globalsupport@uniview.com)

<http://www.uniview.com>

©2020-2022 Zhejiang Uniview Technologies Co., Ltd. All rights reserved.

\* Product specifications and availability are subject to change without notice.